

## Copyright

© 2022, FLIR Systems, Inc.

All rights reserved worldwide. Names and marks appearing herein are either registered trademarks or trademarks of FLIR Systems and/or its subsidiaries. All other trademarks, trade names or company names referenced herein are used for identification only and are the property of their respective owners.

## Document identity

Publ. No.: T810611  
Release: AA  
Commit: 85945  
Head: 85945  
Language: en-US  
Modified: 2022-06-27  
Formatted: 2022-06-27

## Website

<http://www.flir.com>

## Customer support

<http://support.flir.com>

## Disclaimer

Specifications subject to change without further notice. Models and accessories subject to regional market considerations. License procedures may apply. Products described herein may be subject to US Export Regulations. Please refer to [exportquestions@flir.com](mailto:exportquestions@flir.com) with any questions.

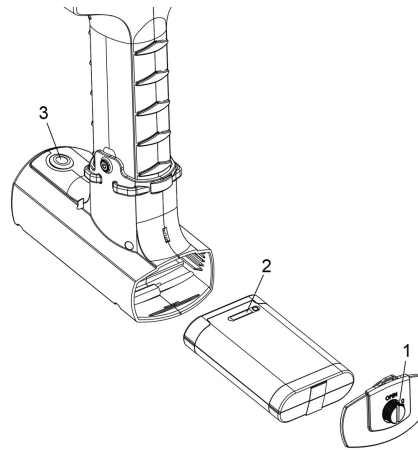


T810611

## 1 Quick start guide

1. Charge the battery for at least 2 hours or until the battery charger light turns green.
2. Open the battery cover by turning the knob (1).
3. With the connectors first and the indicator lights (2) facing upwards, push the battery into the battery housing.
4. Close the battery cover. Lock the cover by turning the knob.
5. Push the on/off button (3) to power on the camera.

**Note** During the first use, keep the camera on for at least 1 hour to optimize the battery life.



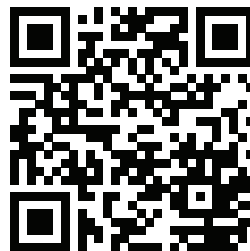
## 2 Device setup wizard

1. The device setup wizard is run when the device is started for the first time.
2. The wizard asks for Wi-Fi settings (not supported in all regions), language, location, time zone, and application mode settings.
3. In the end, the instructions for registering the device for cloud use are given (not supported in all regions).

The cloud can be accessed at <https://si124viewer.flir.com/>.

## 3 Online documentation

To access the FLIR Si124 User's manual and technical data specifications, go to: <http://support.flir.com/resources/g9wc>



## 4 Customer help

Contact our Technical Support Center if you experience problems or have any questions about your product: <https://support.flir.com>.